

Sea Shield MARINE

PRODUCTS, INC.



*Protect your investment
by insisting on the best!*

**MADE IN
USA**



*All of our Zinc Anodes
conform to MIL SPEC A-18001
and are manufactured in our
ISO 9001 certified facility.*



Sea Shield MARINE

PRODUCTS, INC.

*Protect your investment
by insisting on the best!*



25,000 sq.ft. manufacturing and warehousing facility.

Sea Shield Marine, one of the first to introduce the Mil Spec 18001 to the yachting world, has led the anode industry in product design and technology for many years.

Sea Shield Marine has a long history of innovative designs now demanded by serious boating and yachting enthusiasts. Among their leading designs is the now popular and widely used Diver's Dream plate, found on most transoms in marinas.

Sea Shield Marine was first in designing a user friendly collar, with two deep slotted stainless steel screws, allowing maximum torque for properly securing the anode and increasing effectiveness.

Sea Shield Marine introduced the first tear drop designed anode with slots for fitting multiple bolt patterns and simplifying installation. Also added to their innovative product line is the lobster & crab anode, Fisherman's Dream, preferred in the industry for its low cost and high efficiency.

Sea Shield Marine's firm commitment to the boating industry is to provide competitively priced products without compromising quality. It is because of this commitment that Sea Shield Marine uses stainless steel fasteners, galvanized steel inserts (allowing the anode lower resistive build-up) and the highest grade of zinc and aluminum materials. Stainless steel inserts are used on all prop anodes.

***Protect your investment by insisting
on the best quality - Insist on Sea Shield
Marine Products!***

INSIST ON QUALITY!

(909) 594-2507 • (800) 638-2577 • FAX (909) 594-3964
www.SeaShieldMarine.com • sales@SeaShieldMarine.com

MADE IN USA



Sea Shield
MARINE
PRODUCTS, INC.

MOST ANODES ARE ALSO AVAILABLE IN ALUMINUM

Streamline Collars

PART NO.	SHAFT SIZE	LENGTH	OUTSIDE DIA.	ZN WT. (lb)	AL WT. (lb)	BOX QTY
SL-0750	3/4"	1-3/4"	1-7/8"	.650	.246	50
SL-0875	7/8"	1-7/8"	1-7/8"	.825	.312	50
SL-1000	2"	2-1/4"	1.000"	1.000	.378	50
SL-1125	1-1/8"	2"	2-1/4"	.975	.369	50
SL-1250	1-1/4"	2"	2-3/8"	.980	.370	50
SL-1375	1-3/8"	2-1/2"	2-5/8"	1.650	.624	32
SL-1500	1-1/2"	2-5/8"	2-3/4"	1.765	.667	32
SL-1750	1-3/4"	3"	3-1/4"	2.900	1.100	18
SL-2000	2"	3"	3-1/4"	2.600	.983	18
SL-2250	2-1/4"	3-3/4"	3-7/8"	4.650	1.758	5
SL-2500	2-1/2"	4"	4-1/2"	4.850	1.833	5
SL-2750	2-3/4"	4-1/4"	4-3/4"	8.450	3.194	4
SL-3000	3"	4-1/4"	4-3/4"	7.100	2.684	4
SL-3250	3-1/4"	4-1/4"	4-3/4"	8.501	3.213	4
SL-3500	3-1/2"	4-1/4"	4-3/4"	7.857	2.970	4
SL-4000	4"	4-1/4"	5-1/4"	9.480	3.580	4
SL-4500	4-1/2"	4-1/2"	6-1/2"	12.500	4.725	2
SL-5000	5"	4-1/2"	7"	14.200	5.368	2



**STREAMLINE COLLAR
STANDARD & METRIC**

- Easy size verification inside and outside.
- Easy installation - deep slotted stainless steel machine screws for maximum torque.
- Stainless steel allen cap screws available upon request.
- Plastic Keeper prevents screws from falling out during installation.

When ordering the aluminum anode version, add "-ALU" to the end of the part number shown.

Metric Streamline Collars

PART NO.	SHAFT SIZE	LENGTH	OUTSIDE DIA.	ZN WT. (lb)	AL WT. (lb)	BOX QTY
SL-25mm	25mm	2"	2-1/4"	1.133	.428	50
SL-30mm	30mm	2"	2-1/4"	1.054	.398	50
SL-35mm	35mm	2-1/2"	2-5/8"	1.650	.624	32
SL-40mm	40mm	2-5/8"	2-3/4"	1.668	.631	32
SL-50mm	50mm	3"	3-1/4"	2.645	.100	18
SL-60mm	60mm	4"	4-1/2"	5.150	1.947	5



LIMITED CLEARANCE COLLAR

Limited Clearance Collars

PART NO.	W/CUTTER NO.	SHAFT SIZE	THICKNESS	O.D.	ZN WT(lb)	AL WT(lb)	BOX QTY
LC-0750	SALCA-0750*	3/4"	1"	2"	.54	.20	27
LC-0875	SALCA-0875*	7/8"	1"	2"	.63	.24	27
LC-1000	SALCA-1000*	1"	1-1/4"	2-1/4"	.95	.36	27
LC-1125	SALCA-1125*	1-1/8"	1-1/4"	2-1/2"	1.00	.38	27
LC-1250	SALCA-1250*	1-1/4"	1-1/4"	2-1/2"	1.03	.39	27
LC-1375	SALCA-1375*	1-3/8"	1-1/4"	2-3/4"	1.22	.46	27
LC-1500	SALCA-1500*	1-1/2"	1-1/4"	3"	1.40	.53	27
LC-1750	SALCA-1750*	1-3/4"	1-1/4"	3-3/4"	2.40	.91	8
LC-2000	SALCA-2000*	2"	1-1/4"	3-3/4"	2.09	.79	8
LC-2250	SALCA-2250*	2-1/4"	1-3/4"	4"	2.70	1.02	7

When ordering the aluminum anode version, add "-ALU" to the end of the part number shown.

SALCA
(Sacrificial Anode
Line Cutter Assembly)
**LIMITED CLEARANCE
COLLAR WITH
LINE CUTTER***
PATENT PENDING



- Easy size verification inside and outside.
- Easy installation - deep slotted stainless steel machine screws for maximum torque.
- Stainless steel allen cap screws available upon request.
- Plastic Keeper prevents screws from falling out during installation.

* SALCA are individually boxed with foam inserts for safety.
* Add .2" to thickness shown for Limited Clearance Collar.

INSIST ON QUALITY!

(909) 594-2507 • (800) 638-2577 • FAX (909) 594-3964
 www.SeaShieldMarine.com • sales@SeaShieldMarine.com

MADE IN USA

Sea Shield MARINE PRODUCTS, INC.

MOST ANODES ARE ALSO AVAILABLE IN ALUMINUM

Beneteau Collars

PART NO.	W/CUTTER NO.	SHAFT SIZE	THICKNESS	O.D.	ZN WT(lb)	AL WT(lb)	BOX QTY
BC-25mm	SALCA-BC-25mm*	25mm	5/8"	2-5/8"	.57	.22	25
BC-30mm	SALCA-BC-30mm*	30mm	5/8"	2-5/8"	.57	.22	25

When ordering the aluminum anode version, add "-ALU" to the end of the part number shown.

- SALCA are individually boxed with foam inserts for safety.
- * Add .2" to thickness shown for Limited Clearance Collar.



Rudder Buttons

PART NO.	THICKNESS	OUTSIDE DIA.	ZN WT (lb)	AL WT (lb)	BOX QTY
RB-XS	3/8"	1-7/8"	.273	.103	50
RB-S	3/4"	2-3/4"	1.140	.431	25
RB-M	3/4"	3-3/4"	1.850	.699	20
RB-L	1 1/16"	5"	3.450	1.304	6
RB-XM	3/4"	4-1/4"	2.380	.900	20
RB-XL	7/8"	6-7/8"	9.400	3.553	4

When ordering the aluminum anode version, add "-ALU" to the end of the part number shown.

- Deep slotted stainless steel machine screw for maximum torque
- Extra small mounts with 10-24 x 1" machine screw
- Small mounts with 1/4"-20 x 2" machine screw
- Medium mounts with 1/4"-20 x 2" machine screw
- Large mounts with 5/16"-18 x 2" machine screw
- Stainless steel allen cap screws available upon request.
- Encapsulated nut prevents fallout.

ZHC - Diver's Dream

PART NO.	THICKNESS	WIDTH	LENGTH	ZN WT (lb)	AL WT (lb)	SLOT SIZE	BOX QTY
ZHC-2	3/4"	2-5/8"	5-3/8"	2.35	.888	1/2" x 13/16" x 2-7/8"	15
ZHC-4	1/2"	4"	6"	2.68	1.013	3/8" x 1-1/4" x 4-1/4"	15
ZHC-6	7/8"	3-7/8"	7-7/8"	6.30	2.381	5/8" x 7/8" x 4-3/16"	10
ZHC-10-3/8	1/2"	6"	12"	8.50	3.213	3/8" x 2" x 9"	n.a.
ZHC-10-1/2	1/2"	6"	12"	8.50	3.213	1/2" x 2" x 9"	n.a.
ZHC-20	1"	6"	12"	17.00	6.426	5/8" x 2" x 9"	n.a.

When ordering the aluminum anode version, add "-ALU" to the end of the part number shown.

- Galvanized steel core for better bonding and longer life.



DIVER'S DREAM
ZHC-10

ORIGINALLY DESIGNED FOR TAIWAN BOATS



ZHC-2 & 6

MINI DIVER'S DREAM



ZHC-4

INSIST ON QUALITY!

(909) 594-2507 • (800) 638-2577 • FAX (909) 594-3964
www.SeaShieldMarine.com • sales@SeaShieldMarine.com

MADE IN USA

Sea Shield MARINE PRODUCTS, INC.

MOST ANODES ARE ALSO AVAILABLE IN ALUMINUM

Tear Drop (Slotted Design)

PART NO.	THICKNESS	WIDTH	LENGTH	ZN WT (lb)	AL WT (lb)	BOX QTY
TD-S	3/4"	1-5/8"	3-5/8"	.590	.223	24
TD-L	3/4"	2-1/8"	5-1/4"	.950	.359	12

When ordering the aluminum anode version, add "-ALU" to the end of the part number shown.

TD-S: 1/4" size screw hole (1-5/16" - 1-5/8")

TD-L: 1/4" size screw hole (1-9/16" - 2-9/16")



SSM-406

PART NO.	THICKNESS	WIDTH	ZN WT (lb)	AL WT (lb)	LENGTH
SSM-406	3/4"	4.25"	5.398	2.040	8-5/8"

When ordering the aluminum anode version, add "-ALU" to the end of the part number shown.

- Two steel cores cast in it for longer life & improved bonding.
- 5/8" holes 5" centers

SSM-25 & SSM-404

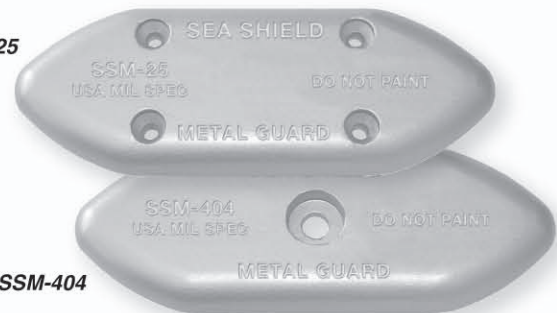
PART NO.	LENGTH	WIDTH	THICKNESS	HOLE DIA.	ZN WT (lb)	AL WT (lb)
SSM-25*	9-1/4"	3-3/8"	3/4"	1/4"	4.000	1.512
SSM-404	9-1/4"	3-3/8"	3/4"	1/4"	4.000	1.512

When ordering the aluminum anode version, add "-ALU" to the end of the part number shown.

* SSM-25, Slotted holes allow universal fit for A-25 or M-25

* SSM-404, Single hole

SSM-25



SSM-404

Reference Zincs

PART NO.	THICKNESS	WIDTH	LENGTH	ZN WT (lb)	AL WT (lb)	BOX QTY
REF-1	5/8"	1-5/8"	2-7/8"	.520	.197	10
REF-2	5/8"	2-1/8"	4"	1.000	.378	10
REF-3	5/8"	2-5/16"	5-1/2"	2.120	.801	10

When ordering the aluminum anode version, add "-ALU" to the end of the part number shown.

- Reference cell for electro guard corrosion system
- 1/2" through hole with 1" counter bore

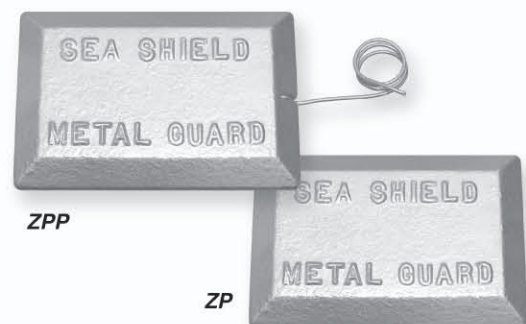


ZP & ZPP - Plates

PART NO.	THICKNESS	WIDTH	LENGTH	ZN WT (lb)	AL WT (lb)	BOX QTY
ZP-2 / ZPP-2	11/16"	2-1/2"	4-1/2"	2.0	.756	10
ZP-3 / ZPP-3	3/4"	3"	6"	3.0	1.134	12
ZP-4 / ZPP-4	3/4"	4"	6"	4.0	1.512	10
ZP-7 / ZPP-7	13/16"	5"	9"	7.5	2.835	4

When ordering the aluminum anode version, add "-ALU" to the end of the part number shown.

- ZP - no pigtail
- ZPP series with 12" copper pigtail



ZPP

ZP

INSIST ON QUALITY!

(909) 594-2507 • (800) 638-2577 • FAX (909) 594-3964
www.SeaShieldMarine.com • sales@SeaShieldMarine.com

MADE IN USA



**Sea Shield
MARINE**
PRODUCTS, INC.

MOST ANODES ARE ALSO AVAILABLE IN ALUMINUM

ZPN - Solid Zinc Plates

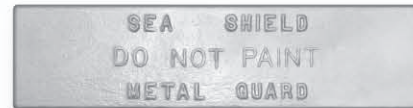
PART NO.	THICKNESS	WIDTH	LENGTH	ZN WT (lb)	AL WT (lb)	BOX QTY
ZPN-1	1/2"	1"	6"	.80	.302	42
ZPN-3	1/2"	3"	6"	2.50	.945	12
ZPN-4	1/2"	4"	6"	3.40	1.285	10
ZPN-5	1/2"	3"	12"	5.20	1.966	12
ZPN-6	1/2"	6"	6"	6.00	2.268	7
ZPN-10	1/2"	6"	12"	10.00	3.780	N/A
ZPN-15	3/4"	6"	12"	15.00	5.670	N/A
ZPN-20	1"	6"	12"	20.00	7.560	N/A
ZPN-10-2*	1/2"	6"	12"	10.00	3.780	N/A
ZPN-10-3*	1/2"	6"	12"	10.00	3.780	N/A
ZPN-10-4*	1/2"	6"	12"	10.00	3.780	N/A

- No core
 - Scored segments for easy separation
- *ZPN-10-2 with two segments,
ZPN-10-3 with three segments,
ZPN-10-4 with four segments



ZPN-1

ZPN-3, ZPN-4



ZPN-5



ZPN-6



ZPN-10; ZPN-15; ZPN-20

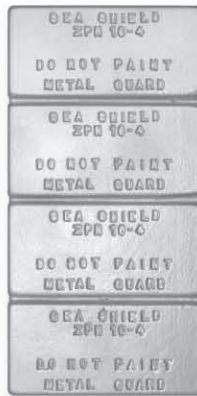
When ordering the aluminum anode version, add "-ALU" to the end of the part number shown.



ZPN-10-2



ZPN-10-3



ZPN-10-4



Prop Nuts

PART NO.	SHAFT	OUTSIDE DIA.	LENGTH	ZN WT (lb)	AL WT (lb)	BOX QTY
B	7/8"	1-1/2"	2.06"	.50	.189	25
C	1" or 1-1/8"	1-31/32"	2.67"	1.06	.401	25
D	1-1/4"	2-5/16"	2.92"	1.60	.605	10
E	1-3/8"		3.20"	1.80	.675	
F	1-1/2"	2-23/32"	3.31"	2.05	.775	10
G	1-3/4"		3.50"	2.70	1.021	
H	2"		3.90"	3.20	1.209	

When ordering the aluminum anode version, add "-ALU" to the end of the part number shown.

- Stainless Steel insert for longer life and improved Bonding

INSIST ON QUALITY!

(909) 594-2507 • (800) 638-2577 • FAX (909) 594-3964
www.SeaShieldMarine.com • sales@SeaShieldMarine.com

MADE IN USA

Sea Shield MARINE

PRODUCTS, INC.

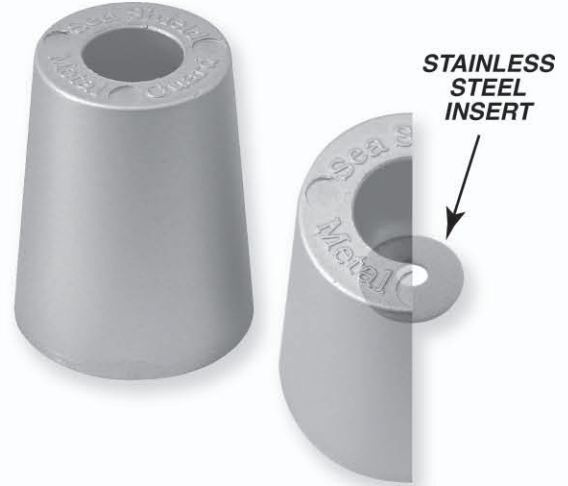
MOST ANODES ARE ALSO AVAILABLE IN ALUMINUM

Beneteau Prop Nuts

PART NO.	SHAFT	OUTSIDE DIA.	LENGTH	ZN WT (lb)	AL WT (lb)	BOX QTY
BPN-25	25mm	1.313"	1.45"	0.22	0.083	30
BPN-30	30mm	1.625"	2.00"	0.44	0.166	25
BPN-35	35mm	1.750"	2.17"	0.57	0.215	25

When ordering the aluminum anode version, add "-ALU" to the end of the part number shown.

- Stainless Steel insert for longer life and improved Bonding



S155395

Gori Collar

PART NO.	DIAMETER	DEPTH	ZN WT (lb)	AL WT (lb)	BOX QTY
S155395	3-3/4"	1-3/8"	0.98	0.37	N/A

When ordering the aluminum anode version, add "-ALU" to the end of the part number shown.

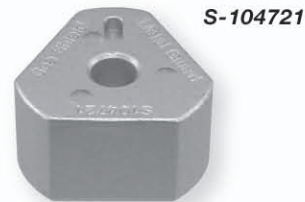
- Fits 18" - 20" saildrive propellers

Gori Triangle

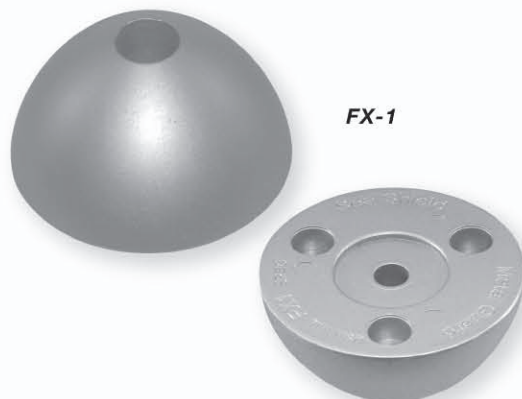
PART NO.	DIAMETER	DEPTH	ZN WT (lb)	AL WT (lb)	BOX QTY
S104721	1"	5/8"	0.10	0.38	25

When ordering the aluminum anode version, add "-ALU" to the end of the part number shown.

- Fits 3 blade propellers 15" and 16.5"



S-104721



FX-1

Flexofold Prop

PART NO.	DIAMETER	DEPTH	ZN WT (lb)	AL WT (lb)	BOX QTY
FX1	2-3/4"	1-3/4"	1.16	0.44	10

When ordering the aluminum anode version, add "-ALU" to the end of the part number shown.

- Fits 3 blade propellers from 15" - 24"

INSIST ON QUALITY!

(909) 594-2507 • (800) 638-2577 • FAX (909) 594-3964
www.SeaShieldMarine.com • sales@SeaShieldMarine.com

MADE IN USA

Sea Shield MARINE PRODUCTS, INC.

MOST ANODES ARE ALSO AVAILABLE IN ALUMINUM

ALUMINUM
RETAINING RING



Max-prop

PART NO.	WIDTH	INSIDE DIA.	OUTSIDE DIA.	SIZE (mm)	ZN WT (lb)	AL WT (lb)	BOX QTY
63mm	0.65	1-9/16"	2-3/8"	5mm x 8-20	0.64	0.24	25
70mm	0.95	1-11/16"	2-5/8"	5mm x 8-20	0.96	0.36	25
83mm	1.88	1-7/8"	3-1/8"	6mm x 1-25	1.80	0.68	20

When ordering the aluminum anode version, add "-ALU" to the end of the part number shown.

- Aluminum retaining ring for longer life and improved bonding.
- The 6-hole pattern allows fitting on multiple years.

Side Power

PART NO.	STYLE	DIAMETER	LENGTH	ZN WT (lb)	AL WT (lb)	BOX QTY
7-1190		1-3/4"	3/4"	0.26	0.01	25
20-1180		1-15/16"	1-5/8"	0.69	0.26	20

When ordering the aluminum anode version, add "-ALU" to the end of the part number shown.

- Stainless steel insert for longer life and improved bonding.



ALUMINUM
INSERTS



832598

Volvo (250 - 270 outdrives)

PART NO.	STYLE	THICKNESS	WIDTH x LENGTH	ZN WT (lb)	AL WT (lb)	BOX QTY
832598	BAR	3/4"	1-1/2" x 7-3/8"	1.83	.692	10

When ordering the aluminum anode version, add "-ALU" to the end of the part number shown.

- With aluminum inserts on 5-3/4" centers

Volvo (290 outdrives)

PART NO.	STYLE	THICKNESS	WIDTH x LENGTH	ZN WT (lb)	AL WT (lb)	BOX QTY
852835	BAR	1"	1-3/4" x 5-1/4"	1.70	.643	10

When ordering the aluminum anode version, add "-ALU" to the end of the part number shown.

- With aluminum inserts on 3-3/8" centers



852835

INSIST ON QUALITY!

(909) 594-2507 • (800) 638-2577 • FAX (909) 594-3964
www.SeaShieldMarine.com • sales@SeaShieldMarine.com

MADE IN USA



Sea Shield
MARINE
PRODUCTS, INC.

MOST ANODES ARE ALSO AVAILABLE IN ALUMINUM

Mercuriser (zinc or aluminum)

PART NO.	STYLE	DIMENSION (L)	HOLES	ZN WT (lb)	AL WT (lb)	BOX QTY
M-821629	Plate	5/8" x 2-7/9" x 7"	2	1.73	0.69	6

When ordering the aluminum anode version, add "-ALU" to the end of the part number shown.

- Driveshaft housing Anode for the Alpha
- 1/4"-20 holes on 3-1/4" centers

M-821629



Mercuriser (zinc or aluminum)

PART NO.	STYLE	DIMENSION (L)	HOLES	ZN WT (lb)	AL WT (lb)	BOX QTY
M-821630	Plate	1/2" x 4-1/4" x 7-1/2"	2	2.2	0.88	6

When ordering the aluminum anode version, add "-ALU" to the end of the part number shown.

- Driveshaft housing Anode for the Bravo

M-821630



Mercuriser (zinc or aluminum)

PART NO.	STYLE	DIMENSION (L)	HOLES	ZN WT (lb)	AL WT (lb)	BOX QTY
M-76214-4	Round Plate	3-1/2"	7/16 NC	.60	.29	25
M-76214-5	Round Plate	3-1/2"	7/16 NC	.68	.30	25

When ordering the aluminum anode version, add "-ALU" to the end of the part number shown.

- Skegless Zinc

M-76214-5



M-76214-4



INSIST ON QUALITY!

(909) 594-2507 • (800) 638-2577 • FAX (909) 594-3964
 www.SeaShieldMarine.com • sales@SeaShieldMarine.com

MADE IN USA



Sea Shield MARINE PRODUCTS, INC.

MOST ANODES ARE ALSO AVAILABLE IN ALUMINUM

Mercuriser (zinc or aluminum)

PART NO.	STYLE	DIMENSION (L)	HOLES	ZN WT (lb)	AL WT (lb)	BOX QTY
M-76214	Round Plate	3-1/2" Counter Bored	1/2" 3/4"	.68	.30	25

When ordering the aluminum anode version, add "-ALU" to the end of the part number shown.

- Skegless Zinc
- Counter bored through hole

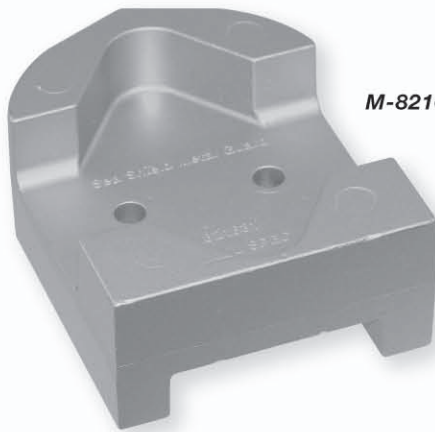
M-76214



TOP VIEW



BOTTOM VIEW



M-821631

Mercury Gimbal Plate

PART NO.	LENGTH	WIDTH	ZN WT (lb)	AL WT (lb)	BOX QTY
M-821631	4"	3"	1.95	0.74	10

When ordering the aluminum anode version, add "-ALU" to the end of the part number shown.

- Fits Alpha One & Alpha One Gen II

Mercury Prop Cone

PART NO.	DIAMETER	HEIGHT	ZN WT (lb)	AL WT (lb)	BOX QTY
M-865182	2"	2-1/2"	1.05	0.40	10

When ordering the aluminum anode version, add "-ALU" to the end of the part number shown.

- Fits Bravo III 2004 to Present



M-865182



M-806188

Mercury Bravo Carrier Ring

PART NO.	DIAMETER	HEIGHT	ZN WT (lb)	AL WT (lb)	BOX QTY
M-806188	2-3/4"	7/8"	0.38	0.14	10

When ordering the aluminum anode version, add "-ALU" to the end of the part number shown.

- Fits Bravo I Outdrives

INSIST ON QUALITY!

(909) 594-2507 • (800) 638-2577 • FAX (909) 594-3964
 www.SeaShieldMarine.com • sales@SeaShieldMarine.com

MADE IN USA

Sea Shield
MARINE
 PRODUCTS, INC.

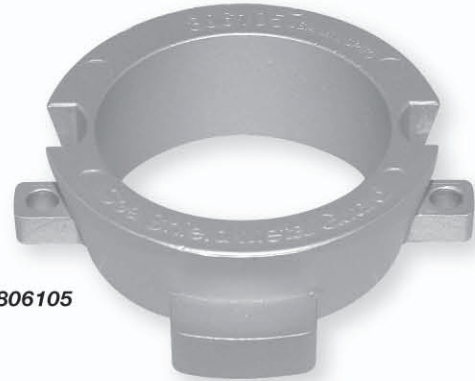
MOST ANODES ARE ALSO AVAILABLE IN ALUMINUM

Mercury Alpha Bearing Ring

PART NO.	DIAMETER	HEIGHT	ZN WT (lb)	AL WT (lb)	BOX QTY
M-806105	2-7/8"	1"	0.47	0.18	10

When ordering the aluminum anode version, add "-ALU" to the end of the part number shown.

• Fits Alpha One & Alpha One Gen II



M-806105



Mercruiser (zinc or aluminum)

PART NO.	STYLE	HEX x LENGTH	ZN WT (lb)	AL WT (lb)	BOX QTY
M-55989	CAP	1-1/4" x 1-3/8"	.30	.13	10

When ordering the aluminum anode version, add "-ALU" to the end of the part number shown.

• Hexagonal design for ease of installation

Mercruiser (zinc or aluminum)

PART NO.	THICKNESS	WIDTH x LENGTH	HOLES	ZN WT (lb)	AL WT (lb)	BOX QTY
M-34762	3/8"	2-1/4" x 2-1/4"	2 OC	.57	.22	10

When ordering the aluminum anode version, add "-ALU" to the end of the part number shown.

• 1/4" holes on 2" centers



31640

34127

Mercruiser (zinc or aluminum)

PART NO.	STYLE	DIMENSION (L)	HOLES	ZN WT (lb)	AL WT (lb)	BOX QTY
M-31640	Standard Skew	2-1/4"	7/16 NC	1.08	.44	10
M-34127	Long Skew	4"	7/16 NC	1.47	.59	10

When ordering the aluminum anode version, add "-ALU" to the end of the part number shown.

INSIST ON QUALITY!

(909) 594-2507 • (800) 638-2577 • FAX (909) 594-3964
www.SeaShieldMarine.com • sales@SeaShieldMarine.com

MADE IN USA

Sea Shield
MARINE
PRODUCTS, INC.

MOST ANODES ARE ALSO AVAILABLE IN ALUMINUM

Mercuriser Trim Anodes (zinc or aluminum)

PART NO.	STYLE	DIMENSION (L)	DIA.	HOLES	ZN WT (lb)	AL WT (lb)	BOX QTY
M-806189	Trim	2"	1-31/32"	2	0.29	0.08	10
M-806190	Trim	9/16"	1-31/32"	2	0.73	0.29	10

When ordering the aluminum anode version, add "-ALU" to the end of the part number shown.

- It is used on Alpha and Bravo Mercuriser



M-806189



M-806190

NEW
PATENTED DESIGN
DRASTICALLY REDUCES
INSTALLATION TIME!

Mercuriser Quick-Change Trim Anodes (zinc or aluminum)

PART NO.	STYLE	DIMENSION (L)	DIA.	HOLES	ZN WT (lb)	AL WT (lb)	BOX QTY
M-706188	Adapter Plate	7/16"	2-7/32"	-	0.066	-	10
M-706189	Quick Change	3/8"	2-7/32"	1	0.225	0.090	10
M-706190	Quick Change	1"	2-7/32"	1	0.713	0.285	10

When ordering the aluminum anode version, add "-ALU" to the end of the part number shown.

- It is used on Alpha and Bravo Mercuriser



M-706189



M-706190

STAINLESS
STEEL
INSERT



M-706188

ANODE AND
ADAPTER SHOWN
TOGETHER



COMBINED
HEIGHT .6"



COMBINED
HEIGHT 1.2"

MERCURY QUICK CHANGE TRIM ANODE "LONG LIFE"

Once the adapter plate has been installed, the anode can be replaced in less than 2 minutes with drive in the up or down position!

- M-706188 Aluminum Adapter is used in conjunction with M-706189 and M-706190.
- Adapter plate is anti-corrosive aluminum and powder coated to prevent corrosion.
- Adapter plate is made with stainless steel 10/32" threaded insert for "long life"
- It takes 2 screws to mount the adapter plate and one 10/32" x 3/8" allen cap screw stainless steel for holding anode to the adapter plate.

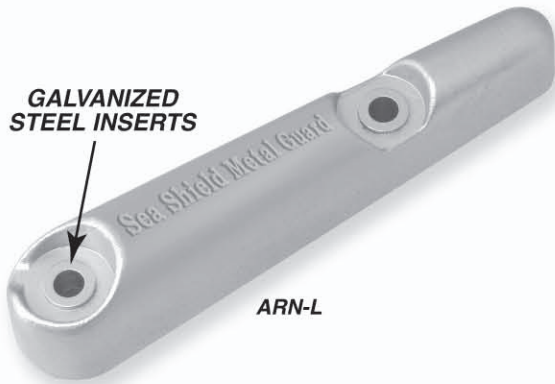
INSIST ON QUALITY!

(909) 594-2507 • (800) 638-2577 • FAX (909) 594-3964
www.SeaShieldMarine.com • sales@SeaShieldMarine.com

MADE IN USA

Sea Shield MARINE PRODUCTS, INC.

MOST ANODES ARE ALSO AVAILABLE IN ALUMINUM



Arneson

PART NO.	STYLE	THICKNESS	LENGTH	ZN WT (lb)	ZN WT (lb)	BOX QTY
ARN-L	BAR	1"	6"	0.75	.284	10

When ordering the aluminum anode version, add "-ALU" to the end of the part number shown.

• 2 galvanized steel inserts on 3-1/2" centers

Zinc Rods

PART NO.	DIAMETER	LENGTH	ZN WT (lb)	AL WT (lb)
ZR-0375	3/8"	72"	2.00	*
ZR-0500	1/2"	72"	3.60	*
ZR-0625	5/8"	72"	5.60	*
ZR-0750	3/4"	72"	8.80	*
ZR-0875	7/8"	72"	12.00	*
ZR-1000	1"	72"	15.50	*
ZR-1225	1-1/4"	72"	24.80	*
ZR-1375	1-3/8"	72"	27.80	*
ZR-1500	1-1/2"	39"	19.50	*
ZR-2000	2"	39"	30.00	*
ZRN-405	.405"	72"	3.00	*
ZRN-675	.675"	72"	6.75	*
ZRN-840	.840"	72"	10.50	*
ZRN-1050	1.050"	72"	16.00	*



- Extruded rod
- Does not meet the bend & torsion shear test.
- Conforms to the chemical composition MIL-A-18001.
- * Not available in aluminum

Pencil Zincs



When ordering the aluminum anode version, add "-ALU" to the end of the part number shown.

- Other sizes available upon request
- * E-3X & E-3XL not available in aluminum

PART NO.	BRASS PLUG SIZE	DIA x LGTH	ZINC THREAD SIZE	ZN WT (lb)	AL WT (lb)	BOX QTY
E-0	1/4"	3/8" x 1-3/4"	5/16" - 18	0.056	0.021	25
E-1	3/8"	1/2" x 2"	3/8" - 16	0.104	0.039	25
E-2	1/2"	5/8" x 2"	7/16" - 14	0.162	0.061	25
E-2X	1/2"	5/8" x 3"	9/16" - 12	0.260	0.098	25
E-2XL	1/2"	5/8" x 6"	9/16" - 12	0.457	0.173	25
E-3	3/4"	3/4" x 2"	1/2" - 13	0.240	0.091	25
E-3X*	3/4"	7/8" x 3"	13/16" - 10	0.438	*	25
E-3XL*	3/4"	7/8" x 6"	13/16" - 10	1.000	*	25
E-4	3/4"	3/4" x 3-3/8"	1/2" - 13	0.384	0.145	25
E-5X	1"	1" x 3"	1" - 12	0.593	0.224	25
E-5XL	1"	1" x 6"	1" - 12	1.260	0.476	25

INSIST ON QUALITY!

(909) 594-2507 • (800) 638-2577 • FAX (909) 594-3964
 www.SeaShieldMarine.com • sales@SeaShieldMarine.com

MADE IN USA

Sea Shield MARINE PRODUCTS, INC.

MOST ANODES ARE ALSO AVAILABLE IN ALUMINUM

ZDM

PART NO.	DIAMETER	THICKNESS	ZN WT (lb)	AL WT (lb)	BOX QTY
ZDM-500	.500	3/4"	.03	.01	250
ZDM-625	.625	3/4"	.05	.02	200
ZDM-825	.825	3/4"	.10	.04	100
ZDM-1050	1.050	3/4"	.16	.06	50

When ordering the aluminum anode version, add "-ALU" to the end of the part number shown.

- Segments screw together for desired length
- 12/28 male-female zinc plated steel core



Yanmar & Adapter

PART NO.	STYLE	ZN WT (lb)	AL WT (lb)	BOX QTY
196440 - 02660	Split Ring	1.513	0.572	10 sets
196440 - 02690	Adapter Kit	-	-	N/A

When ordering the aluminum anode version, add "-ALU" to the end of the part number shown.

ADAPTER KIT CONTAINS THE FOLLOWING:

QTY:	PART NO.	SCREW SIZE	DESCRIPTION
2	-		Mounting Plate
4	M-6	1.00 x 12mm	Allen Flathead Screw
2	M-8	1.25 x 20mm	Stainless Steel Socket Head Cap Screw

- Split ring sail drive
- Galvanized steel mounting core
- The anode fits sail drive units SD-20, SD-30, SD-31, SD-40, SD-50
- 122mm center to center screw size 8mm
- Stainless steel adapter kit used when you change from solid to split ring anode.

ZSS & ASS - weld-on (zinc or aluminum)

PART NO.	ZN WT (lb)	ALUMINUM ANODES	AL WT (lb)	THICKNESS	WIDTH	LENGTH	STEEL STRAP SIZE
ZSS-12	12	ASS-5	5	1-1/4"	3"	12"	3/16" x 1-1/4" x 16"
ZSS-24	24	ASS-10	10	2-1/2"	3"	12"	3/16" x 1-1/4" x 16"
ZSS-26	26	ASS-11	11	2"	4"	14"	3/16" x 2" x 20"
ZSS-50	50	ASS-20	20	2"	4"	24"	1/4" x 1-1/2" x 32"

- Galvanized steel straps for weld-on installation
- ZSS can be ordered with aluminum straps



INSIST ON QUALITY!

(909) 594-2507 • (800) 638-2577 • FAX (909) 594-3964
www.SeaShieldMarine.com • sales@SeaShieldMarine.com

MADE IN USA

Sea Shield MARINE

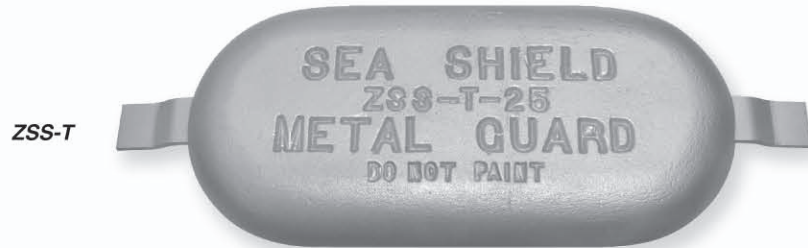
PRODUCTS, INC.

MOST ANODES ARE ALSO AVAILABLE IN ALUMINUM

ZSS-T & ASS-T - weld-on (zinc or aluminum)

PART NO.	ZN WT (lb)	ALUMINUM ANODES	AL WT (lb)	THICKNESS	WIDTH	LENGTH	STEEL STRAP SIZE
ZSS-T-25	25	ASS-T-10	10	1-1/2"	6-1/2"	13-3/4"	3/16" x 1-1/4" x 16"

- Streamline surface
- ZSS-T can be ordered with aluminum straps



ZTS-4-1/2, ZTS-5 & ATS-5 - weld-on (zinc or aluminum)

PART NO.	ZN WT (lb)	ALUMINUM ANODES	AL WT (lb)	THICKNESS	WIDTH	LENGTH	STEEL STRAP
ZTS-4-1/2	4.4	ATS-1	1.8	1-1/2"	3"	5-7/8"	1/8" x 3/4" x 10"
ZTS-5	5	ATS-2	2	1-1/2"	3"	9"	1/8" x 3/4" x 12"
ZTS-P-5	5	ATS-P	2	1-1/2"	3"	9"	1/8" x 3/4" x 12"



- ZTS-4-1/2 with two 1/2" slotted holes on 7-7/8" centers
- Galvanized steel straps for weld-on installation
- ZTS-P-5 with 12" copper pigtail
- ZTS can be ordered with aluminum straps

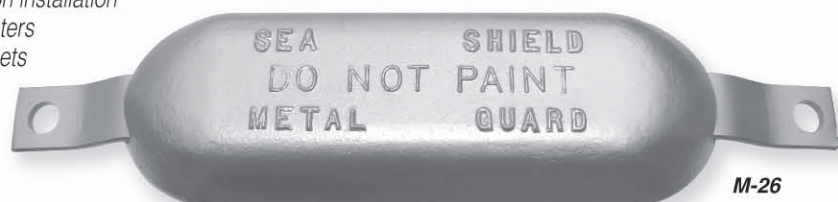


M-26 & M-48

PART NO.	THICKNESS	WIDTH	LENGTH	ZN WT (lb)	AL WT (lb)	STRAP SIZE
M-26	2"	4"	14"	26.0	9.8	1/4" x 1-1/2" x 19"
M-48	2"	4"	24"	42.0	15.9	1/4" x 1-1/2" x 32"

When ordering the aluminum anode version, add "-ALU" to the end of the part number shown.

- Core: Galvanized steel straps for weld-on or bolt-on installation
- 3/4" holes on 17-1/2" (M-26) & 30-1/2" (M-48) centers
- Zinc is streamlined to reduce risk of snagging of nets
- Anodes can be ordered with aluminum straps.
- Preferred by tuna boat owners



INSIST ON QUALITY!

(909) 594-2507 • (800) 638-2577 • FAX (909) 594-3964
www.SeaShieldMarine.com • sales@SeaShieldMarine.com

MADE IN USA



Sea Shield MARINE

PRODUCTS, INC.

MOST ANODES ARE ALSO AVAILABLE IN ALUMINUM

ZHC-16 or ZHC-11

PART NO.	THICKNESS	WIDTH	LENGTH	ZN WT (lb)	ZN WT (lb)
ZHC-16*	2"	3-1/2"	17-1/2"	16.00	6.05
ZHC-11**	1-5/8"	3"	12"	11.00	4.16

When ordering the aluminum anode version, add "-ALU" to the end of the part number shown.

- 5/8" slotted galvanized steel cores
- Anodes can be ordered with aluminum inserts.

* 9" on centers

** 8" on centers



MADE FOR "SUNSEEKERS",
"SEA LIONS" AND "VIKING" BOATS

ZHS & AHS - weld-on (zinc or aluminum)

PART NO.	ZN WT (lb)	ALUMINUM ANODES	AL WT (lb)	THICKNESS	WIDTH	LENGTH	STEEL STRAP SIZE
ZHS-23	23	AHS-10	10	1-1/4"	6"	12"	3/16" x 1-1/4" x 10"
ZHS-42	42	AHS-20	20	2-1/2"	6"	12"	3/16" x 1-1/4" x 10"
ZHB-23*	23			1-1/4"	6"	12"	3/16" x 1-1/4" x 10"

- Galvanized steel straps are on 6" centers for weld-on installation
- ZHS can be ordered with aluminum strap

* with bronze straps



ZHS-23



ZHS-T-25

ZHS-T & AHS-T - weld-on (zinc or aluminum)

PART NO.	ZN WT (lb)	ALUMINUM ANODES	AL WT (lb)	THICKNESS	WIDTH	LENGTH	STEEL STRAP SIZE
ZHS-T-25	25	AHS-T-10	12	1-1/2"	6-1/2"	13-3/4"	3/16" x 1-1/4" x 10"

- Galvanized steel straps are on 6" centers for weld-on installation
- Streamline surface
- ZHS can be ordered with aluminum straps

INSIST ON QUALITY!

(909) 594-2507 • (800) 638-2577 • FAX (909) 594-3964
www.SeaShieldMarine.com • sales@SeaShieldMarine.com

MADE IN USA



Sea Shield MARINE

PRODUCTS, INC.

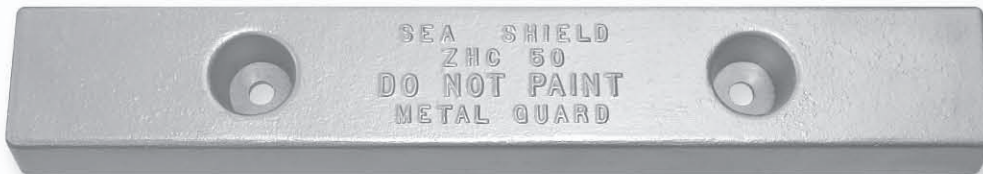
MOST ANODES ARE ALSO AVAILABLE IN ALUMINUM

ZHC & AHC - bolt-on (zinc or aluminum)

PART NO.	ZN WT (lb)	ALUMINUM ANODES	AL WT (lb)	THICKNESS	WIDTH	LENGTH
ZHC-23	23	AHC-10	10	1-1/4"	6"	12"
ZHC-42	42	AHC-16	16	2-1/2"	6"	12"
ZHC-50*	50	AHC-20	20	2"	4"	13-3/4"

- Core: Galvanized steel insert with holes for bolt-on installation
- 5/8" holes on 6" centers • 1-1/2" countersink holes
- * 5/8" holes on 12" centers

ZHC-23 or ZHC42



ZHC-50

ZEP & AEP (zinc or aluminum)

PART NO.	ZN WT (lb)	ALUMINUM ANODES	AL WT (lb)	DIAMETER	THICKNESS	WIDTH	LENGTH
ZEP-A-6	9	AEP-A-6	3.5		1"	6"	6"
ZEP-B-2	1	AEP-B-2	0.4	2"	1"		
ZEP-B-3	2	AEP-B-3	0.8	3"	1"		
ZEP-B-4	3	AEP-B-4	1.2	4"	1"		
ZEP-B-5	5	AEP-B-5	2.0	5"	1"		
ZEP-B-6	7	AEP-B-6	2.8	6"	1"		
ZEP-B-9	16	AEP-B-9	6.3	9"	1"		
ZEP-B-11	24	AEP-B-11	9.4	11"	1"		
ZEP-C-15	25	AEP-C-15	8.6	15"	1"		

ZEP-A-6



- Core: galvanized pipe insert 3/8" or 1/2" IPS (available without pipe core).
- 9" & 11" ZEP-B & AEP-B has 2 cores on 3-1/2" centers
- ZEP-C has 2 cores on 6-3/8" centers
- Used on Heat Exchangers

ZEP-C-15



ZEP-B-2-6

ZEP-B-9 & 11

INSIST ON QUALITY!

(909) 594-2507 • (800) 638-2577 • FAX (909) 594-3964
www.SeaShieldMarine.com • sales@SeaShieldMarine.com

MADE IN USA

Sea Shield MARINE

PRODUCTS, INC.

MOST ANODES ARE ALSO AVAILABLE IN ALUMINUM

Cranchi / Azimut Yachts

PART NO.	DIA.	THICKNESS	ZN WT (lb)	AL WT (lb)
RP-6	6"	1-1/2"	8.6	3.25

When ordering the aluminum anode version, add "-ALU" to the end of the part number shown.

- Cranchi / Azimut Yachts 2" counter bored hole with galvanized steel insert with 1/2" thru hole.

RP-6



Zinc Mooring Chain

PART NO.	THICKNESS	WIDTH	LENGTH	CORE LENGTH	ZN WT (lb)	AL WT (lb)	BOX QTY
ZMP-5	1-1/4"	1-15/16"	3-1/2"	1.33"	1.69	0.639	10
ZMP-6	1-3/8"	2-1/8"	4"	1.56"	2.03	0.767	10
ZMP-9	1-3/8"	2-5/8"	6"	1.88"	4.40	1.660	10

When ordering the aluminum anode version, add "-ALU" to the end of the part number shown.

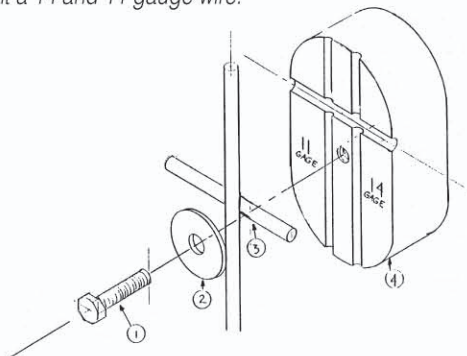
- For use on grade FM3 stud link chain.
- 3/8" standard size pipe conforming to ASTM A 513.

Lobster & Crab Traps

PART NO.	THICKNESS	WIDTH	LENGTH	ZN WT (lb)	AL WT (lb)	BOX QTY
FD-S	1"	1-5/8"	2-1/4"	.780	.295	50

When ordering the aluminum anode version, add "-ALU" to the end of the part number shown.

- Cast-in galvanized steel bonding core for good conductivity and longer life.
- Fast and easy installation with 1/4"-20 hex head cap screws
- The anode is designed to fit a 14 and 11 gauge wire.



**NEW
AND USER
FRIENDLY!**

INSIST ON QUALITY!

(909) 594-2507 • (800) 638-2577 • FAX (909) 594-3964
www.SeaShieldMarine.com • sales@SeaShieldMarine.com

MADE IN USA

Sea Shield MARINE

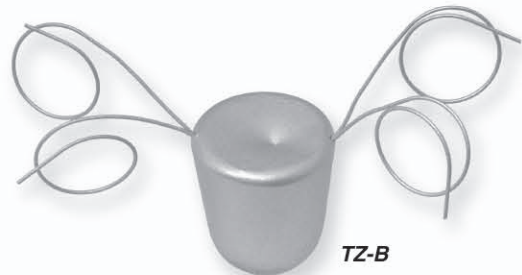
PRODUCTS, INC.

MOST ANODES ARE ALSO AVAILABLE IN ALUMINUM

TZH-W / TZH / TZ-B

PART NO.	ZN WT (lb)	ALUMINUM ANODES	AL WT (lb)	THICKNESS	HEX	LENGTH	BOX QTY
TZH-W	3	AZH-W	1.2	2"	3"		
TZH	3	AZH	1.2	2"	3"		
TZ-B	1	AZ-B	0.4		1-3/4" dia.	2"	

- TZH-W has 4 stainless steel 18 gauge wire 16" long
- TZH has thru hole tapped to 1/2-13 thread for bolt on
- TZ-B has 4 stainless steel 18 gauge wire 16" long

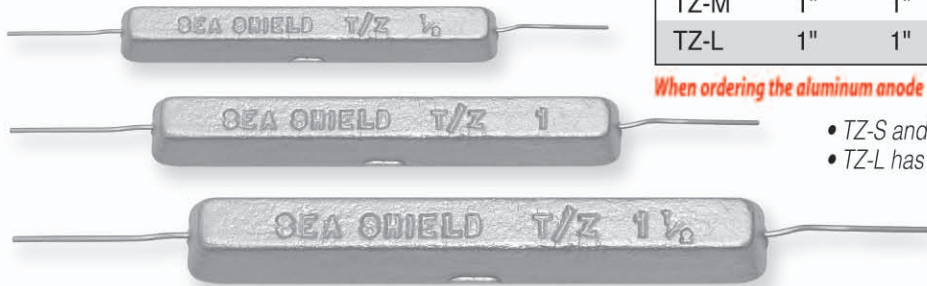


Lobster & Crab Traps

PART NO.	THICKNESS	WIDTH	LENGTH	ZN WT (lb)	AL WT (lb)	BOX QTY
TZ-S	1"	1"	4-13/16"	0.750	0.284	100
TZ-M	1"	1"	6"	1.000	0.378	50
TZ-L	1"	1"	7-3/8"	1.500	0.567	50

When ordering the aluminum anode version, add "-ALU" to the end of the part number shown.

- TZ-S and TZ-M has 14 gauge galvanized wire 12" long
- TZ-L has 14 gauge galvanized wire 14" long

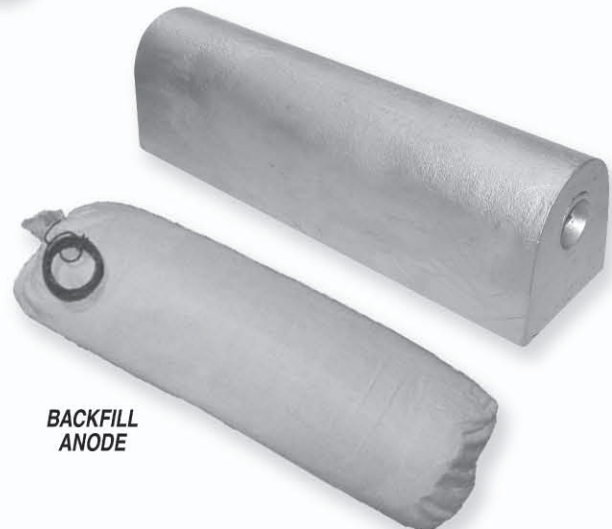


Mag Anodes - Underground

PART NO.	THICKNESS	WIDTH	LENGTH	MAG WT (lb)
17D3	3-1/2"	3-3/4"	25-1/4"	17.00
32D5	5-1/2"	5-3/4"	19-7/8"	32.00
48D5	5-1/2"	5-3/4"	30-1/8"	48.00

* Not Available in Zinc or Aluminum

- Available packaged or unpackaged, with or without copper leads, per customer requirements.
- Backfill material: 75% Hydrated Gypsum, 20% Bentonite, 5% Sodium Sulfate.



INSIST ON QUALITY!

(909) 594-2507 • (800) 638-2577 • FAX (909) 594-3964
 www.SeaShieldMarine.com • sales@SeaShieldMarine.com

MADE IN USA

Sea Shield MARINE

PRODUCTS, INC.

MOST ANODES ARE ALSO AVAILABLE IN ALUMINUM

Mag 22 / Mag 5 / Mag Anodes

PART NO.	DIAMETER	THICKNESS	WIDTH	LENGTH	ZN WT (lb)
Mag 22	-	2"	10"	20"	22.00
Mag 5	-	2-1/2"	4-3/4"	11"	5.00
Mag 2R5	5"	2"	-	-	2.55
Mag 8	-	2"	8"	8"	8.69
Mag 15	-	4"	8"	8"	17.40

*** Not Available in Zinc or Aluminum**

- Mag 22: Galvanized steel straps for weld-on installation.
- Mag 22: 1/4" x 1-1/2" x 18" on 10" centers
- Mag 5: 11" length, 4-3/4" width, 2-1/2" thickness, steel straps are 1-1/8" wide & 1/4" thick, 14-1/4" overall length with 5/8" holes on 13" centers
- Mag 2R5 1-1/2" dia. 1" deep counter bore with 5/8" thru hole
- Mag 8R 1-1/2" dia. 1" deep counter bore with 5/8" thru hole
- Mag15R 1-1/2" dia. 1" deep counter bore with 5/8" thru hole



Mag 22

Mag 8 or Mag 15



Mag 5

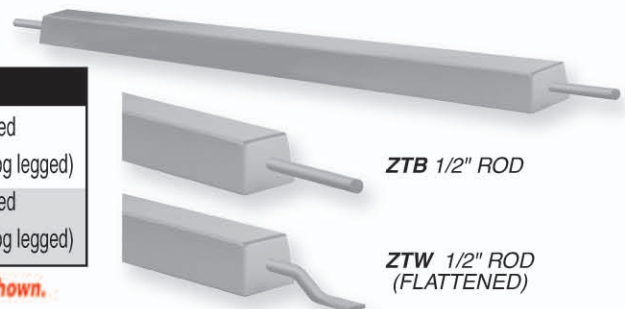


Mag 2R5

Ballast Tank Type

PART NO.	THICKNESS	WIDTH	LENGTH	ZN WT (lb)	AL WT (lb)	ROD TYPE
ZTB-24	1.4"	1.4"	48"	24	9.07	1/2" rod centered
ZTW-24	1.4"	1.4"	48"	24	9.07	1/2" rod (flat-dog legged)
ZTB-50	2"	2"	48"	50	18.14	1/2" rod centered
ZTW-50	2"	2"	48"	50	18.14	1/2" rod (flat-dog legged)

When ordering the aluminum anode version, add "-ALU" to the end of the part number shown.



ZTB 1/2" ROD

ZTW 1/2" ROD (FLATTENED)

INSIST ON QUALITY!

(909) 594-2507 • (800) 638-2577 • FAX (909) 594-3964
www.SeaShieldMarine.com • sales@SeaShieldMarine.com

MADE IN USA



MOST ANODES ARE ALSO AVAILABLE IN ALUMINUM

Underground Type



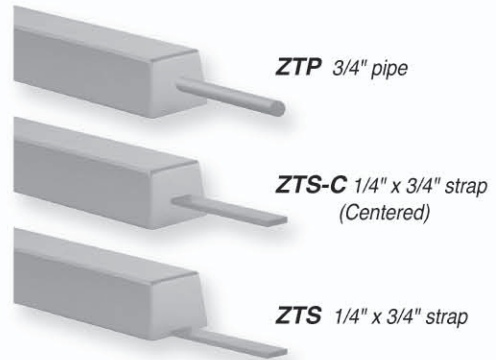
PART NO.	THICKNESS	WIDTH	LENGTH	ZN WT (lb)	AL WT (lb)	ROD TYPE
ZUR-5	1.4"	1.4"	9"	5	1.89	1/4" rods extend 6" on ends
ZUR-15	1.4"	1.4"	30"	15	5.67	1/4" rods extend 6" on ends
ZUR-30	2"	2"	30"	30	11.34	1/4" rods extend 6" on ends
ZUR-33	1.4"	1.4"	60"	33	12.47	1/4" rods extend 6" on ends
ZUR-48	2"	2"	48"	48	18.14	1/4" rods extend 6" on ends
ZUR-60	2"	2"	60"	60	22.68	1/4" rods extend 6" on ends
ZUR-60 (5/8)	2"	2"	60"	60	22.68	1/4" rods extend 6" on ends
ZUR-150 (3/4)	4"	4"	36"	150	56.70	1/4" rods extend 6" on ends

When ordering the aluminum anode version, add "-ALU" to the end of the part number shown.

- Core: 1/4" round galvanized steel rod extending 6" from each end. (5/8) denotes 5/8" solid core. (3/4) denotes 3/4" pipe core.
- Rod extensions can be specified by customer (6" max. - 1" min.)

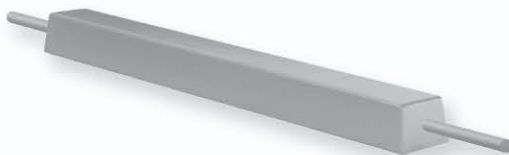
Water Screens, Storage Tanks, Grounding Electrodes

PART NO.	THICKNESS	WIDTH	LENGTH	ZN WT (lb)	AL WT (lb)	ROD TYPE
ZTS-24	1.4"	1.4"	48"	24	9.07	3/8" rod extends 6" each end
ZTS-30	1.4"	1.4"	60"	30	11.34	3/8" rod extends 6" each end
ZTS-C-30	1.4"	1.4"	60"	30	11.34	1/4" x 3/4" strap (centered)
ZTS-50	2"	2"	48"	50	18.90	3/8" rod extends 6" each end
ZTS-60	2"	2"	60"	60	22.68	3/8" rod extends 6" each end
ZTS-C-60	2"	2"	60"	60	22.68	1/4" x 3/4" strap (centered)
ZTP-150	4"	4"	36"	150	56.70	3/4" galv pipe extends 6" on ea. end
ZTP-250	4"	4"	60"	250	94.50	3/4" galv pipe extends 6" on ea. end



When ordering the aluminum anode version, add "-ALU" to the end of the part number shown.

Pier Piling Type



PART NO.	THICKNESS	WIDTH	LENGTH	ZN WT (lb)	AL WT (lb)	ROD TYPE
ZPPC-150	4"	4"	36"	150	56.7	3/4" galv pipe extends 6" on ea. end
ZPPC-250	9"	9"	12"	250	94.5	3/4" galv pipe extends 6" on ea. end
ZPPC-500	9"	9"	24"	500	189.0	3/4" galv pipe extends 6" on ea. end

When ordering the aluminum anode version, add "-ALU" to the end of the part number shown.

- Core: 3/4" galvanized steel pipe extending 6" each end. 1/4" steel rods welded transverse to pipe within the anode on ZPPC-250 and ZPPC-500.

INSIST ON QUALITY!

(909) 594-2507 • (800) 638-2577 • FAX (909) 594-3964
www.SeaShieldMarine.com • sales@SeaShieldMarine.com

MADE IN USA

**Sea Shield
MARINE**
PRODUCTS, INC.

MOST ANODES ARE ALSO AVAILABLE IN ALUMINUM



**Sea Shield
MARINE**
PRODUCTS, INC.
www.SeaShieldMarine.com

ZINC ANODES
Highly Active Zinc Anodes - Alloyed to US MIL-A-18001

ALPHA I GENERATION II ANODE KIT • 1991 - PRESENT
For Salt & Brackish Water

Protect your investment by insisting on the best!



**Sea Shield
MARINE**
PRODUCTS, INC.
www.SeaShieldMarine.com

ZINC ANODES
Highly Active Zinc Anodes - Alloyed to US MIL-A-18001

BRAVO I ANODE KIT • 1988 - PRESENT
For Salt & Brackish Water

Protect your investment by insisting on the best!

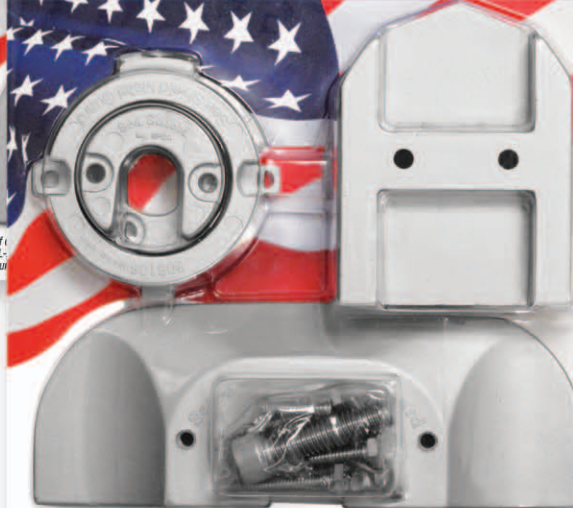


**Sea Shield
MARINE**
PRODUCTS, INC.
www.SeaShieldMarine.com

ALUMINUM ANODES
Highly Active Aluminum Anodes - Alloyed to US MIL-A-24779


ALPHA I GENERATION II ANODE KIT • 1991 - PRESENT
For Salt & Brackish Water

Protect your investment by insisting on the best!



All of our MIL-A-24779 Anodes conform to MIL-A-24779 and are manufactured in our ISO 9001:2008 certified facility.

MADE IN THE USA!

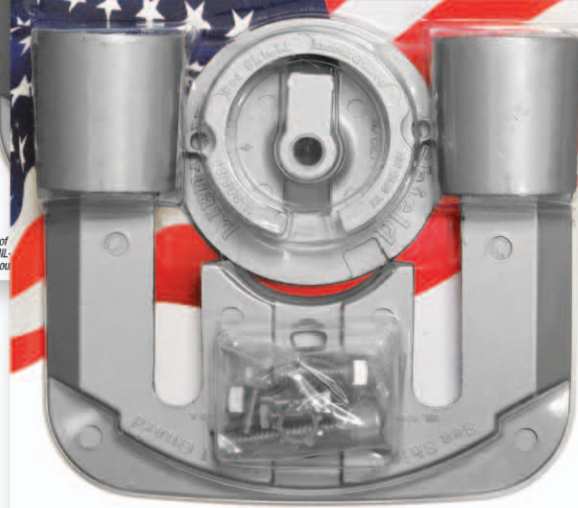


**Sea Shield
MARINE**
PRODUCTS, INC.
www.SeaShieldMarine.com

ALUMINUM ANODES
Highly Active Aluminum Anodes - Alloyed to US MIL-A-24779

BRAVO I ANODE KIT • 1988 - PRESENT
For Salt & Brackish Water

Protect your investment by insisting on the best!



All of our MIL-A-24779 Anodes conform to MIL-A-24779 and are manufactured in our ISO 9001:2008 certified facility.

MADE IN THE USA!

**COMPLETE ANODE KITS NOW AVAILABLE
IN BOTH ZINC AND ALUMINUM**

ALPHA I GENERATION II ANODE KIT • 1991 - PRESENT

BRAVO I ANODE KIT • 1988 - PRESENT

BRAVO II & III ANODE KIT • 1989 - PRESENT

BRAVO III ANODE KIT • 2004 - PRESENT

Sea Shield MARINE

PRODUCTS, INC.

*Protect your investment
by insisting on the best!*



Well stocked warehouse - **Insures your prompt delivery!**



In-house metallurgical lab - **Your assurance of quality!**

Sea Shield Marine Products and your local boat maintenance personnel and dealers, are proud to present our quality line of Metal Guard Anodes. All of our anodes conform to the Mil. Spec's listed below. Insist on the same quality used by military and commercial vessels. Insist on Sea Shield Marine Products!

We guarantee that Sea Shield Zinc Anodes conform to MIL-A-18001.

Quantitative analysis is as follows:

LEAD: (Max.)	0.006%
IRON: (Max.)	0.005%
CADMIUM: (Min.-Max.)	0.025% - 0.070%
ALUMINUM: (Min.-Max.)	0.10% - 0.50%
COPPER: (Max.)	0.005%
ZINC:	Remaining Balance

We guarantee that Sea Shield Aluminum Anodes conform to MIL-A-24779.

Quantitative analysis is as follows:

INDIUM: (Min.-Max.)	0.014% - 0.020%
ZINC 1/:	4.00% - 6.50%
SILICON: (Min.-Max.)	0.080% - 0.20%
COPPER: (Max.)	0.004%
IRON: (Max.)	0.090%
MERCURY: (Max.)	0.001%
TIN: (Max.)	0.001%
OTHERS: (Max. each not to exceed 0.10% total)	0.020%
ALUMINUM 1/:	Remaining Balance



From its humble beginnings in the backyard of Wendell W. Goodwin, Sea Shield Marine Products, Inc. has grown to become a leader in the field of Zinc Anode manufacturing. With the charge of protecting many of the world's finest ocean vessels, Sea Shield Marine Products has developed many innovative and highly efficient products for both pleasure and commercial craft.



Sea Shield MARINE

PRODUCTS, INC.

20832 Currier Road
Walnut, CA 91789
Phone: 909-594-2507
800-638-2577
Fax: 909-594-3964
www.SeaShieldMarine.com
email: sales@SeaShieldMarine.com